

SOLAR RESOURCE SOLUTIONS

NRG Systems' solar solutions provide the data you need to successfully plan and operate your utility-scale photovoltaic project.

Complete Package

From purpose-built, configurable hardware and software to installation and maintenance support, we deliver consistent results around the world.

Unrivaled Ease-of-Use

Integrated systems designed and tested to work together for predictable, repeatable performance.

Bankable Solutions

Count on our products as well as our company to deliver dependable results, even in uncertain times.



NRGSystems®



model: S
serial no.: 3
protocol: M
connection: R



NRGSystems®

Our Systems Revolve Around You.

NRG Systems' solar solutions apply to pre-construction assessment through post-construction operational monitoring and are designed to transition seamlessly between the two.



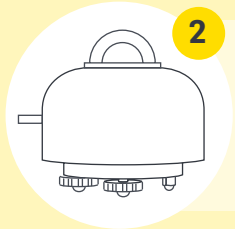
Solar Measurement Systems

SYSTEM ANATOMY



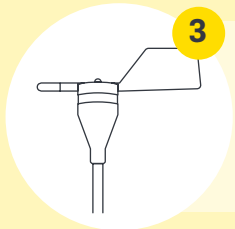
Data Logging

SymphoniePRO® 26-channel data logger



Solar Irradiance

Industry-leading irradiance sensors



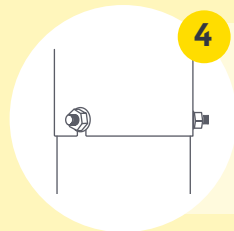
Meteorological Sensors

Highly reliable, discrete sensors



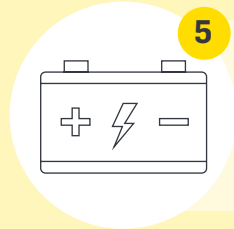
Services

Industry leading customer service



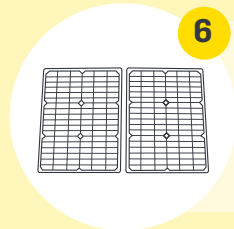
Tubular Tower

Quick to ship, easy to install



Auxiliary Power

Autonomous power in any setting



Soiling Measurement

35 W or full-size PV options

Solar Resource Assessment

NRG Systems' Solar Resource Assessment (SRA) System systematically collects "ground truth" meteorological data at a prospective solar energy production site. Our complete and integrated measurement solution captures all relevant conditions so users can lower the uncertainty of AEP estimates associated with utility-scale photovoltaic projects.

Solar Resource Monitoring

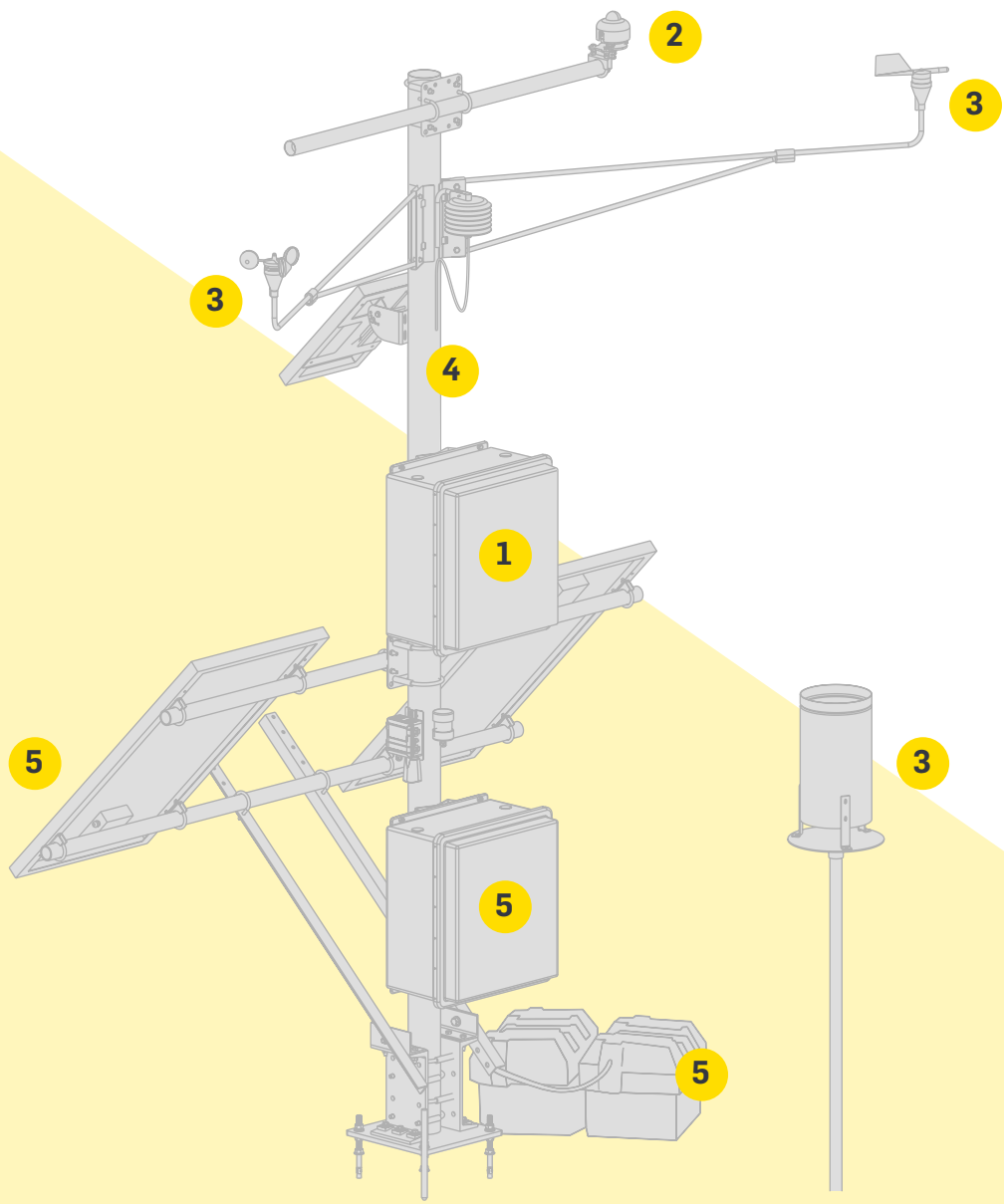
NRG Systems' Solar Resource Monitoring (SRM) System helps operators monitor and optimize the output from their utility-scale PV plant. Whether the project is tracking or fixed, mono- or bifacial, we help users detect inefficiencies at the module, string, and system-wide levels so they can launch real-time maintenance and build long-term, preventative maintenance and cleaning programs.

Solar Resource Assessment

DEVELOPMENT PHASE

Solar Resource Monitoring

OPERATIONAL PHASE

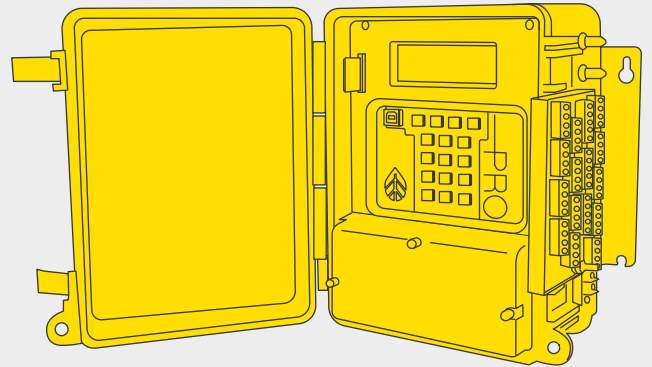


Solar Solutions | Component Details

Data Logging

SYMPHONIEPRO 16- OR 26-CHANNEL DATA LOGGER

- High-resolution, high-accuracy measurements
- Long-term data storage
- Supports wide range of sensor types (analog, digital, serial)
- Calculated channels for additional solar information (solar position, direct normal irradiance (DNI), albedo)
- Easily configurable – no programming required
- Modular accessories for global communications & autonomous power support (Modbus TCP, Cellular, Satellite)



Solar Irradiance

ACCURATELY CAPTURE THE PRIMARY MEASUREMENT OF INTEREST IN A SOLAR RESOURCE CAMPAIGN

- All irradiance components (Global, Diffuse, & Direct) supported
- Class A, B, or C pyranometer options
- System compatibility with all industry-leading sensor brands
- Output options: analog vs. serial ("smart") sensors
- Thermopile pyranometer or PV reference cell
- Mounting flexibility for horizontal vs. plane-of-array irradiance capture
- Pyranometer heating & ventilation options

FEATURED SENSORS

Economical class A sensor with various output options



Innovative class A "smart" sensor with internal heat & ventilation

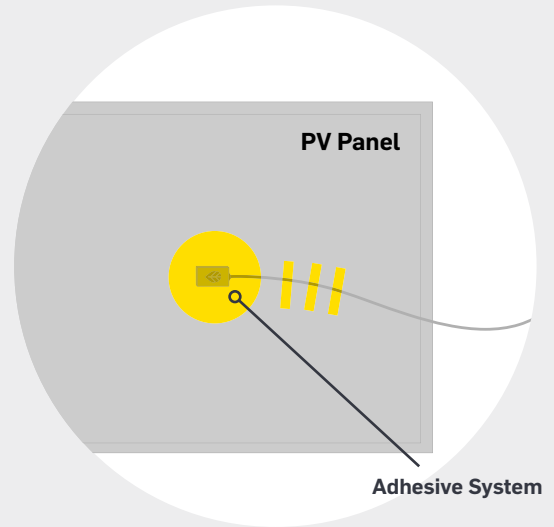


Captures all three irradiance components (GHI, DHI, DNI (calculated)) with low power & no moving parts

PV Module Temperature

ACHIEVE IEC CLASS A MEASUREMENTS USING OUR HIGH-ACCURACY 0.2 C INTERCHANGEABLE 10K NTC THERMISTOR SENSOR

- Our 0.2 C interchangeable 10K NTC Thermistor sensor ensures Class A measurements per IEC-61724-1:2017
- 4-wire configuration ensures accurate measurement regardless of cable length and enables flexible positioning on array
- Easy and repeatable installation and long-term performance via specially designed adhesive system



Meteorological Sensors

COST-EFFECTIVE AND INDIVIDUALLY REPLACEABLE MET SENSORS CAPTURE:

- Wind Speed
- Wind Direction
- Ambient Temperature
- Relative Humidity
- Barometric Pressure
- Precipitation

Tower & Mounting

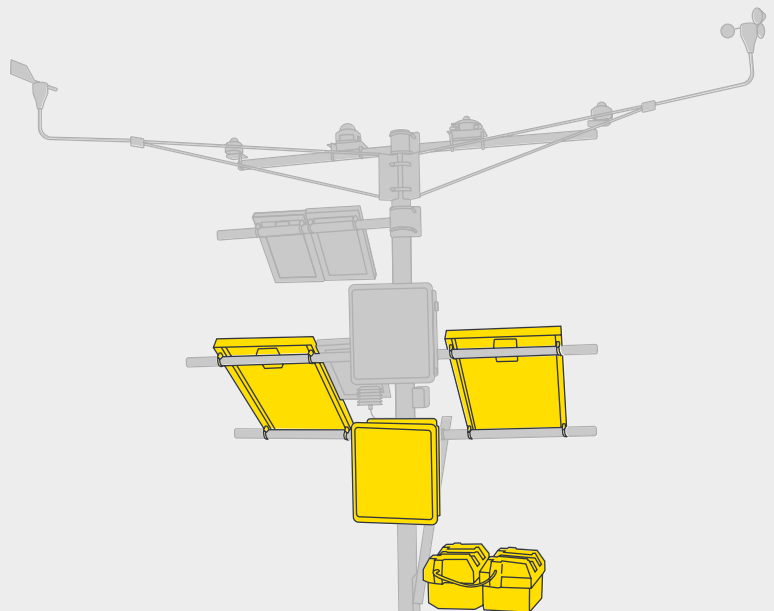
FLEXIBLE SOLUTIONS FOR ALL SETTINGS

- Tubular Tower height options:
 - 2.2 m (7 ft)
 - 3 m (10 ft)
 - 10 m (33 ft)
- Temporary (guyed) or Permanent (pad-mount) base designs

Auxiliary Remote/Uninterruptable Power Supplies

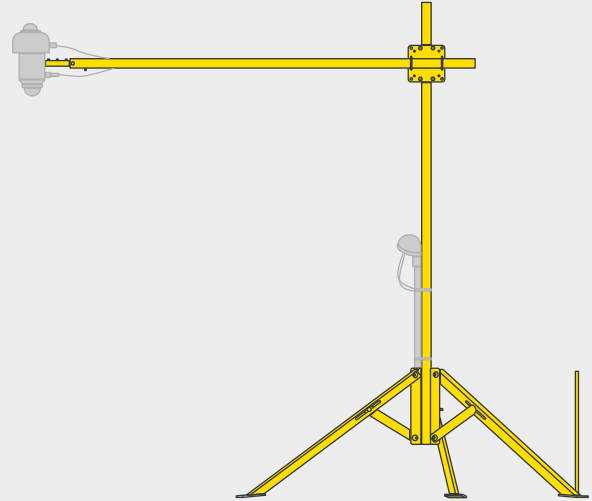
SCALABLE, MODULAR POWER SUPPLY, SIZED BY PROJECT DEPENDING ON:

- Sensor configuration
- Project location
- Autonomy requirements



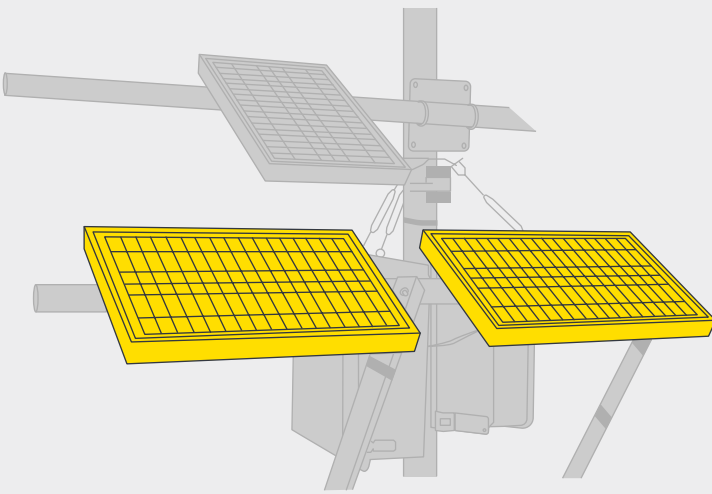
Albedo Measurement Kit

- Unobstructed horizontal albedo measurements for bifacial PV modules
- Supports full range of pyranometers
- Matte black finish eliminates shading/reflections
- Special mounting fixture supports fixed or tracking installations



Soiling Measurement Kit

- 35 W or full-size PV module options
- Fixed (tower) or tracking (array) mounting
- Clean and reference PV modules tested and paired at NRG
- I_{sc} and PV (back-of-module) temperature measurements provided



Services

FOR TURNKEY MEASUREMENTS, OUR SERVICES INCLUDE:

- Pre-configuration and engineering documentation
- Equipment installation and maintenance
- Data services to streamline data delivery, processing, site monitoring, and data quality assurance



For more information:

NRG Sales

+1 802.482.2255

solar@nrgsystems.com

nrgsystems.com

ISO 9001: 2015 Certified

ISO 14001: 2015 Self-Certified

